





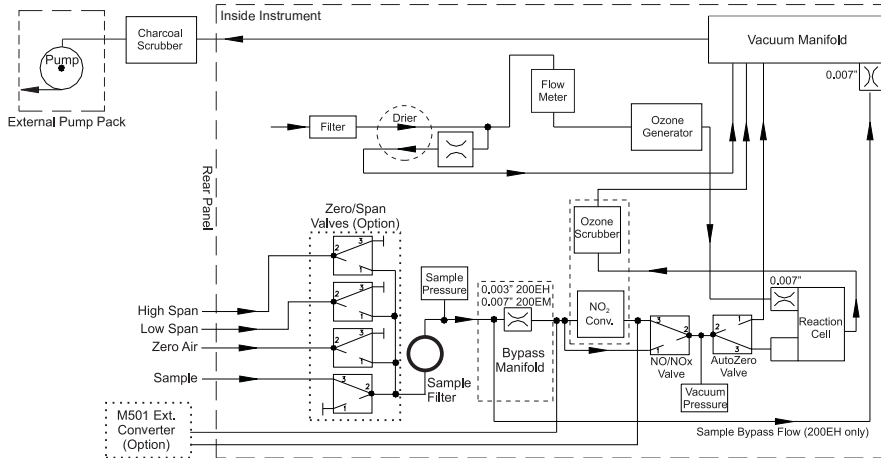
## MODEL 200EH / 200EM

# Chemiluminescence High & Medium Range NO/NO<sub>2</sub>/NO<sub>x</sub> Analyzers

## Specifications

Ranges:	<b>200EH:</b> 0-5 ppm to 0-5000 ppm full scale, user selectable, independent NO, NO <sub>2</sub> , NO <sub>x</sub> ranges and auto-ranging supported <b>200EM:</b> 0-1 ppm to 0-200 ppm	Operating Temperature Range:	5 - 40°C
Units:	ppm, µg/m <sup>3</sup>	Dimensions (HxWxD):	7" (178 mm) x 17" (432 mm) x 23.5" (597 mm)
Zero Noise:	< 20 ppb (RMS)	Weight:	Analyzer 40 lbs (17 kg) External Pump 15 lbs (7 kg)
Span Noise:	< 0.2% of reading above 20 ppm (RMS)	Power:	100V - 120V, 220V - 240V, 50/60 Hz, 250W
Lower Detectable Limit (LDL):	< 40 ppb (RMS)	Analog Outputs:	10V, 5V, 1V, 0.1V, selectable
Zero Drift:	< 20 ppb/24 hours	Current Output:	Optional 4-20 mA isolated outputs (select up to 3 channels)
Span Drift:	< 0.5% reading/24 hours, < 1% reading/7 days	Recorder Offset:	±10%
Lag Time:	20 seconds	Serial Outputs:	Serial Port 1: RS-232 (DB-9M) Serial Port 2: standard RS-232 or optional RS-485 (DB-9F), Ethernet
Rise and Fall Time:	< 60 seconds to 95% (in switching mode)	Status (Digital):	8 outputs, 6 inputs (opto-isolated), 4 alarm outputs (optional)
Linearity:	1% of full scale	Approvals:	CE
Precision:	0.5% of reading		
Sample Flow Rate:	<b>200EM:</b> 250 cm <sup>3</sup> /min <b>200EH:</b> 290 cm <sup>3</sup> /min		

## Schematic



## How to Order

### Model 200EH / EM Chemiluminescence High & Medium Range NO, NO<sub>2</sub>, NO<sub>x</sub> Analyzer includes:

- Standard two year warranty
- External pump
- Permeation ozone air dryer
- Independent NO, NO<sub>2</sub>, NO<sub>x</sub> ranges
- Auto ranging
- 47mm diameter particulate filter
- 8 isolated digital status outputs
- 6 isolated digital control inputs
- Bi-directional RS-232
- APIcom remote control software

### Specify input AC voltage & frequency:

- |   |                                    |
|---|------------------------------------|
| <input type="checkbox"/> 100V - 115V    | <input type="checkbox"/> 50Hz      |
| <input type="checkbox"/> 220V - 240V    | <input type="checkbox"/> 60Hz      |
| <input type="checkbox"/> 230V/50Hz (CE) | <input type="checkbox"/> 220V/60Hz |
| <input type="checkbox"/> 240V/50Hz      |                                    |

### Specify output DC voltage:

- 10V    5V    1V    0.1V

### Optional Equipment:

- Rack mount brackets (19") with chassis slides
- Rack mount brackets only
- 4-20 mA isolated outputs (specify up to three channels)
- Multi-drop RS-232 connection
- Ethernet port includes 7 ft. CAT-5 cable (replaces one serial port)
- Ozone air filter assembly
- O<sub>2</sub> sensor (0-25%)
- NDIR CO<sub>2</sub> sensor (0-20%)
- Internal pump (without O<sub>2</sub> sensor) (Note: Either O<sub>2</sub> or CO<sub>2</sub> can be added; select one)

### NO<sub>2</sub> Converters:

- Mini-HICON Internal Converter (standard on 200EH)
- MOLYCON Internal Converter (standard on 200EM)
- Model 501 External Converter (optional)

### Calibration Options:

- Dual calibration valves for selection of customer-supplied zero and span gas
- Span high, span low, zero valves

### Accessories:

- RS-232 Cable
- Expendables Kit
- Spare Parts Kit
- Chassis carrying handle
- Zero Air Scrubber

Specifications subject to change without notice. M200EH/EM /06.08



**TELEDYNE INSTRUMENTS**  
Advanced Pollution Instrumentation

A Teledyne Technologies Company

9480 Carroll Park Drive ■ San Diego, CA 92121-5201

Ph. 858-657-9800 Fax 858-657-9816

Email [api-sales@teledyne.com](mailto:api-sales@teledyne.com)

For more information about the Teledyne API family of monitoring instrumentation products, call us or visit our website at

[www.teledyne-api.com](http://www.teledyne-api.com)

